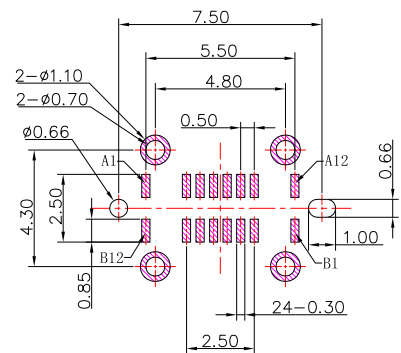
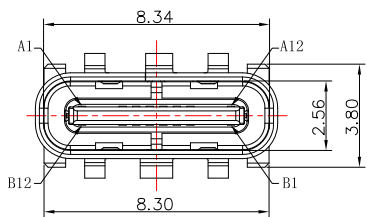




SBC-160VSE8-20x-S338

鍍層厚度:

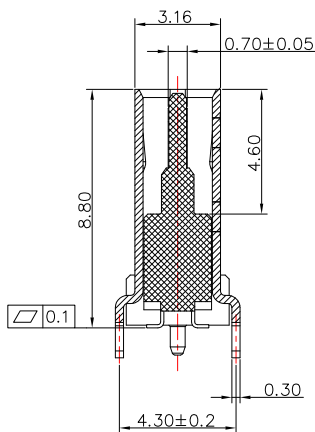
Blank : 1u"
2 : 15u"
3 : 30u"



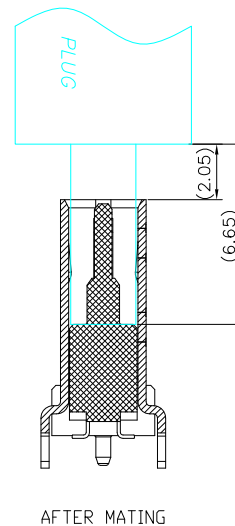
P.C.B. LAYOUT

USB TYPE-C FULL-FEATURED RECEPTACLE INTERFACE PIN ASSIGNMENTS

PIN	Signal Name	Description	PIN	Signal Name	Description
A1	GND	Ground return.	B12	GND	Ground return.
A4	Vns	Bus Power	B9	Vns	Bus Power
A5	CC1	Configuration Channel	B8	SRB2	Sideband Use (SRB)
A6	Dp1	Positive half of the USB 2.0 differential pair-Position 1	B7	Dn2	Negative half of the USB 2.0 differential pair-Position 2
A7	Dn1	Negative half of the USB 2.0 differential pair-Position 1	B6	Dp2	Positive half of the USB 2.0 differential pair-Position 2
A8	SRB1	Sideband Use (SRB)	B5	CC2	Configuration Channel
A9	Vns	Bus Power	B4	Vns	Bus Power
A12	GND	Ground return.	B1	GND	Ground return.



SECTION A-A
SCALE 1:1



AFTER MATING

SPECIFICATIONS

Electrical:

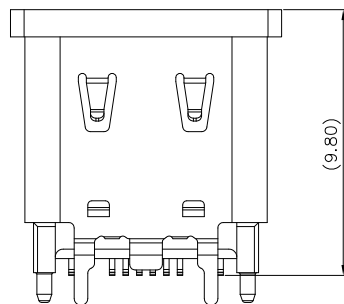
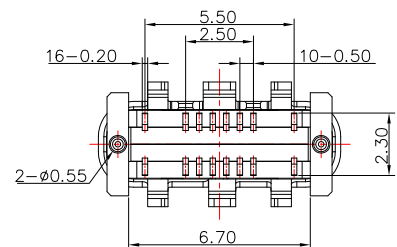
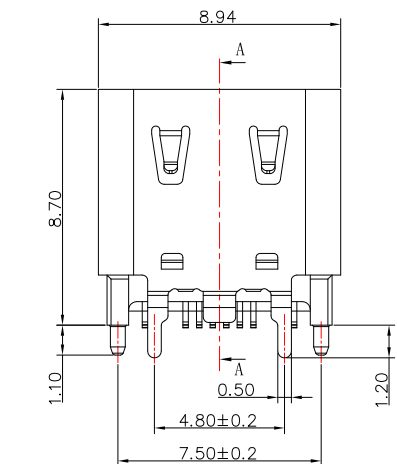
- 1.Rating: 5.0V ; 5.0A
- 2.Dielectric Withstand Voltage: 100V AC
- 3.Contact Resistance: 40 mΩ Max
- 4.Insulation Resistance: 100 MΩ Min

Mechanical:

- 1.Connector Mate and Unmate Force
 - 1.1 Mate force: 5~20 N
 - 1.2 Unmate force: 8~20 N

Material:

- 1.Housing: LCP
 - 2.Contact: C7025
 - 3.Shell: SUS
- Finish:**
- 1.Contact: Plated Gold in Mating Area ;
Gold Plated on Solder Balls ;
Nickel under plated overall
 - 2.Shell: Nickel under Plated surface layer



SECTION: A-A
 建倚科技股份有限公司
CONTACT TECHNOLOGY CORP.

TOLERANCE UNLESS OTHERWISE STATED:
 Up to 5 ±0.2
 Above 5 ~ 15 ±0.3
 Above 15 ~ 30 ±0.4
 Above 30 ~ 50 ±0.5
 Angle ±0.3°

3RD. ANGEL'S



UNITS MM

DRAWN BY:	DATE	MAT'L	TITLE	CONNECTOR
Jack Lu	12/26/23	FINISH	MODLE	TYPE C 16P 180度 SMT 帶定位柱 H8.80 外殼腳距4.80mm
CHECKED BY:	DATE	SCALE	DWG NO.	SBC-160VSE8-20x-S338
Jacky Chen	12/26/23	1 : 1	PART NO.	SBC-160VSE8-20x-S338
APPROVED BY:	DATE	SHEET NO.	1 of 1	
Tony Kao	12/26/23			

ITEM NO.	DESCRIPTION	DRAWN	DATE